

MODEL : BV-101 [One Piece Body Ball Valve Reduced Port]



Connection : Screw BSP, NPT

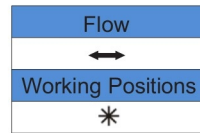
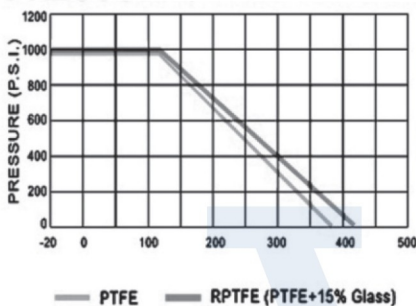
◆ SPECIFICATION

- For chemical and industrial application
- Blow-out proof stem design
- 100% air tested under water at 80-100 psi
- Working pressure : 1000 PSI
- Temperature range -50°C to 220°C

◆ OPTION

- Locking device
- Oval handle
- Butterfly handle

◆ PRESSURE / TEMPERATURE



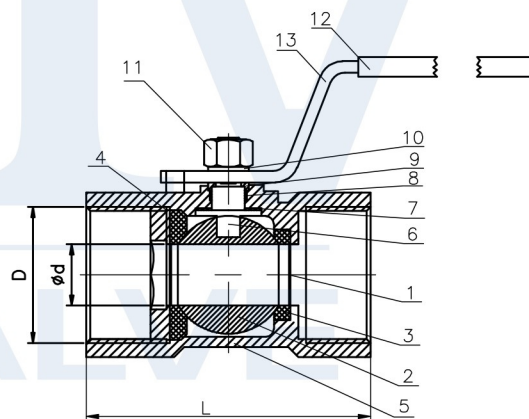
1000WOG / PN 63
SIZE : 1/4" - 2"



VTV VALVE : 1-piece ball valve is design for most of the industrial pipe line. On his economic type, the valve become the very basic one in most industrial works

◆ DIMENSIONS (mm)

| Size | DN | d | L | Weight (Kg) |
|-----------|-----|----|-----|-------------|
| 1/4" | 6 | 5 | 40 | 0.06 |
| 3/8" | 10 | 7 | 45 | 0.085 |
| 1/2" | 15 | 9 | 52 | 0.125 |
| 3/4" | 20 | 12 | 55 | 0.2 |
| 1" | 25 | 15 | 67 | 0.3 |
| 1" - 1/4" | 32 | 20 | 74 | 0.5 |
| 1" - 1/2" | 40 | 5 | 80 | 0.66 |
| 2" | 50 | 32 | 92 | 1 |
| 2" - 1/2" | 65 | 38 | 110 | 1.8 |
| 3" | 80 | 50 | 133 | 2.55 |
| 4" | 100 | 65 | 185 | 5.3 |



◆ MATERIAL LIST

| No. | Parts | Material |
|-----|---------------|----------|
| 1 | Seal | PTFE |
| 2 | Ball | 316 |
| 3 | Seal | PTFE |
| 4 | Cap | CF8M |
| 5 | Body | CF8M |
| 6 | Stem | 316 |
| 7 | Thrust Washer | PTFE |
| 8 | Packing | PTFE |
| 9 | Gland Nut | 201 |
| 10 | Washer | 201 |
| 11 | Nut | 201 |
| 12 | Sleeve | PVC |
| 13 | Handle | 201 |

Specification is subject to change without prior notice